

Silk'n®

EN

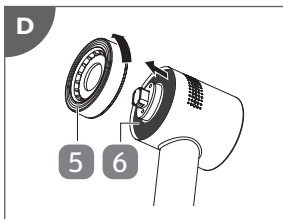
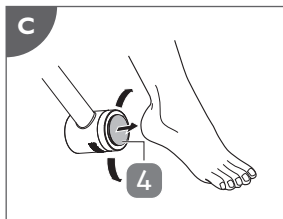
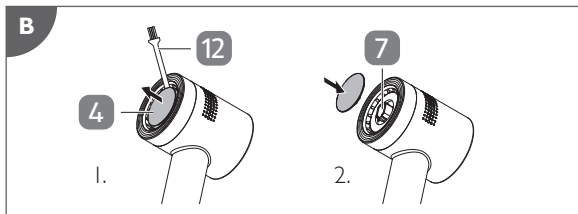
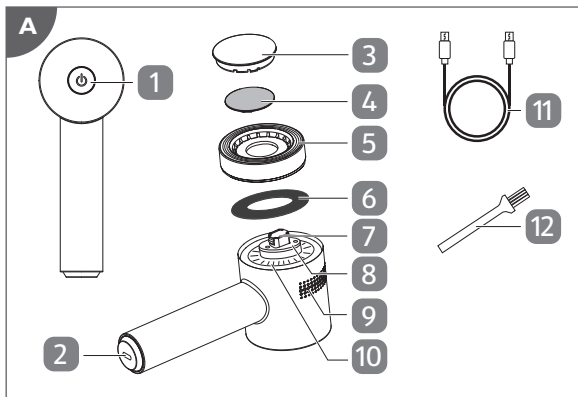
FR

ES

VACUPEDI FTC04



- EN USER MANUAL
- FR MODE D'EMPLOI
- ES MANUAL DE USUARIO



Legal notice

Invention Works B.V. reserves the right to make changes to its products or specifications to improve performance, reliability, or manufacturability. Information furnished by Invention Works B.V. is believed to be accurate and reliable at the time of publication. However, Invention Works B.V. assumes no responsibility for its use. No license is granted by its implication or otherwise under any patent or patent rights of Invention Works B.V.

No part of this document may be reproduced or transmitted in any form or by any means, electronic or mechanical, for any purpose, without the express written permission of Invention Works B.V. Data is subject to change without notification.

Silkn Beauty Ltd. has patents and pending patent applications, trademarks, copyrights, or other intellectual property rights covering subject matter in this document. The furnishing of this document does not give you any license to these patents, trademarks, copyrights, or other intellectual property rights except as expressly provided in any written agreement from Silkn Beauty Ltd. Specifications are subject to change without notice.

Silk'n and the Silk'n logo are registered trademarks of Silkn Beauty Ltd.

Invention Works B.V.
Galileïstraat 17, 3029 AL Rotterdam, The Netherlands
www.silkn.com, www.silkn.ca – info@silkn.com

Table of contents

1	Safety instructions	5
2	OPERATING INSTRUCTIONS	7
2.1	Package contents/device parts	7
2.2	Checking the product and package contents	7
2.3	General information	8
2.4	Reading and storing the user manual	8
2.5	Explanation of symbols	8
2.6	Proper use	9
2.7	Operation	10
2.7.1	Attaching or replacing the grinding disc	10
2.7.2	Starting and ending the treatment	10
2.8	Charging	11
3	Cleaning	12
4	Storage	13
5	Troubleshooting	13
6	Technical data	14
7	Disposal	14
7.1	Disposing of the packaging	14
7.2	Disposing of the product	15
8	Warranty	16
9	Customer service	16

I Safety instructions

IMPORTANT SAFEGUARDS

When using electrical products, especially when children are present, basic safety precautions should always be followed, including the following:

READ ALL INSTRUCTIONS BEFORE USING **DANGER – To reduce the risk of electrocution:**

1. Always unplug this product immediately after use.
2. Do not use while bathing.
3. Do not place or store product where it can fall or be pulled into a tub or sink.
4. Do not place in or drop into water or other liquid.
5. Do not reach for a product that has fallen into water. Unplug immediately.

WARNING – To reduce the risk of burns, electrocution, fire, or injury to persons.

1. A product should never be left unattended when plugged in.
2. Close supervision is necessary when this product is used by, on, or near children or invalids.
3. Use this product only for its intended use as described in this manual. Do not use attachments not recommended by the manufacturer.
4. Never operate this product if it has a damaged cord or plug, if it is not working properly, if it has been dropped or damaged, or dropped into water. Return the product to a service center for examination and repair.
5. Keep the cord away from heated surfaces.

6. Never block the air openings of the product or place it on a soft surface, such as a bed or couch, where the air openings may be blocked. Keep the air openings free of lint, hair, and the like.
7. Never use while sleeping or drowsy.
8. Never drop or insert any object into any opening or hose.
9. Do not use outdoors or operate where aerosol (spray) products are being used or where oxygen is being administered.
10. Only use the product with the supplied USB cable.
11. Never touch the USB cable with wet or damp hands.
12. Always unplug the USB cable when you are not charging the product.
13. Keep the product and USB cable away from open flames and hot surfaces.
14. Lay the USB cable so that it does not pose a tripping hazard.
15. Do not kink the USB cable or wrap it around the product. Do not lay the USB cable over sharp edges.

SAVE THESE INSTRUCTIONS

2 OPERATING INSTRUCTIONS

2.1 Package contents/device parts (see Fig. A)

- | | |
|---|-----------------------|
| 1 Control button (⏻) | 7 Spindle |
| 2 Charging port | 8 LED lights |
| 3 Cover | 9 Ventilation holes |
| 4 Grinding discs
(Fine / Medium / Coarse), 3×* | 10 Dust chamber |
| 5 Fixing ring | 11 USB cable (Type C) |
| 6 Filter, 3×* | 12 Cleaning brush |

* One piece is already attached to the product.

2.2 Checking the product and package contents

NOTICE! RISK OF DAMAGE!

- If you are not cautious when opening the packaging with a sharp knife or other pointed objects, you may quickly damage the product. Be very careful when opening it.
1. Take the product out of the packaging.
 2. Check to make sure that all parts are included (see **Fig. A**).
 3. Check whether the product or individual parts are damaged. If this is the case, do not use the product. Contact our customer service.

2.3 General information

WARNING: This product is not intended to be opened and/or repaired by the user and contains a battery that is not user-replaceable. Service/Repairs of the product must be performed only by an authorized person or at an authorized service center.

2.4 Reading and storing the user manual



This user manual accompanies the callus remover – VacuPedi (hereafter referred to as the “product”), and contains important information on setup and handling.

Before using the product, read the user manual carefully. This particularly applies to the safety instructions. Failure to do so may result in personal injury or damage to the product.

Store the user manual for further use. Make sure to include this user manual when passing the product on to third parties.

2.5 Explanation of symbols

The following symbols and signal words are used in this user manual, on the product or packaging.



WARNING!

This signal symbol/word designates a hazard with moderate risk, which may result in death or severe injury if not avoided.

NOTICE!

This signal word warns of possible damage to property.



This signal symbol identifies useful additional information on handling and use.



Read the user manual.



Devices marked with this symbol are only suitable for household use (dry indoor rooms).



This symbol identifies voltage and the current rating for direct current.



2.6 Proper use

The product is exclusively designed for removing calluses on the feet. It is only intended for private use and not suitable for commercial purposes. Only use the product as described in this user manual. Any other use is considered improper and may result in damage to property or persons. The manufacturer or vendor cannot be held liable for damages or injury incurred through improper or incorrect use.



WARNING! RISK OF INJURY!

- Only use the product on your feet to treat calloused skin. Do not use it on other parts of the body and on soft or thin parts of the skin.
- Only use the product for dry treatment of skin (do not use any additives such as oils or lotions).
- Do not continuously treat one spot of your skin for more than 2 to 3 seconds at a time.
- Do not use the product directly on or near open wounds and inflamed areas of the skin or to remove warts.
- Immediately stop using the product if you experience pain or skin irritation.

- Consult a doctor if you are not sure whether the product is suitable for you (e.g. you suffer from skin diseases or diabetes, you are pregnant, or you are using a pacemaker).
- For hygienic reasons, the product should only be used by one person.
- Keep the product away from hair, wigs and other long flexible objects, e.g. shoelaces, threads, textile fibres.

2.7 Operation



- Clean the product before first use as described in the chapter “Cleaning”.
- Before treating an area on your feet for the first time, perform a skin sensitivity test on a spot on your foot for maximum 3 seconds. Start your treatment only if there is no adverse reaction.

2.7.1 Attaching or replacing the grinding disc

The product includes 3 grinding discs **4**: Fine, Medium and Coarse. With particularly rough skin, we recommend you to start with the Coarse grinding disc.

1. Make sure the product is turned off.
2. Remove the cover **3** if it is attached to the product.
3. Remove the attached grinding disc from the product. If necessary, use the handle of the cleaning brush **12** to aid the removal (see step 1 in **Fig. B**).
4. Attach the desired grinding disc onto the spindle **7** (see step 2 in **Fig. B**).

You will hear a click sound when the grinding disc is secured into place.

2.7.2 Starting and ending the treatment

1. Make sure your feet are clean and completely dry.
2. Press the control button (⏻) **1** once.
The product is now turned on at a low speed. The LED lights **8** will light up blue.

3. Press the control button (⏻) again if you want a higher speed setting.
The product is now turned on at a high speed. The LED lights will blink blue.
4. Move the rotating grinding disc (4) over the parts of your skin you intend to treat. In the process, apply gentle pressure and only keep the grinding disc on a spot on your skin for two to three seconds at a time, then check the result (see **Fig. C**).
Do not cover the ventilation holes (9) during operation to avoid overheating.
The dust created during treatment will be sucked into the dust chamber (10).
5. When treatment is done, press the control button (⏻) a third time to turn the product off. The LED lights will also turn off.

2.8 Charging



- The product cannot be used during charging.
 - Only charge the product at temperatures between 0 and 40 °C.
 - Fully charge the product before first use and when the battery power is low.
 - It takes approx. 2.5 hours for a full charge.
 - When the battery power is low, the LED lights become red and start to blink during operation. Recharge the product.
1. Plug one end of the USB cable (11) into the charging port (2).
 2. Plug the other end of the USB cable into the USB port of a compatible USB power source (not included) (e.g. USB wall adapter, type C, 5V DC).
 3. Plug the USB wall adapter into a mains socket for charging.

During charging, the LED lights **8** will become blue and start to blink slowly.

4. The LED lights will become solid blue when the product is fully charged. Unplug the USB wall adapter from the wall socket and disconnect the USB cable from the product.

3 Cleaning

NOTICE! RISK OF DAMAGE!

- Do not use any aggressive cleaners, brushes with metal bristles, or sharp or metallic cleaning utensils such as knives, hard scrapers, and the like.

Clean the product after each use.

1. Remove the attached grinding disc **4** from the product. If necessary, use the handle of the cleaning brush **12** to aid the removal (see step 1 in **Fig. B**).
2. Turn the fixing ring **5** counterclockwise to detach it from the product (see **Fig. D**).
3. Remove the filter **6** from the dust chamber **10** (see **Fig. D**).
4. Clean these parts accordingly:
Main body: Wipe it off with a damp cloth. Then wipe it completely dry with a dry cloth.
Dust chamber and grinding discs: Use the cleaning brush to remove the dust accumulated on them.
Filter, fixing ring and cover **3:** Clean them under running water. Wipe the fixing ring and cover completely dry with a dry cloth and let the filter air dry

thoroughly. Replace the filter if it is too dusty and the grinding disc if it is worn out.

5. Reassemble the filter, fixing ring, grinding disc and cover after cleaning. Please note, that all parts need to be completely dry before reassembling.



You can purchase new grinding discs and filters on our website at www.silkn.com or www.silkn.ca.

4 Storage

All parts must be completely dry before being stored.

- Store all parts in a clean and dry place, avoiding heat and direct sunlight.
- Attach the cover **3** to protect the grinding disc **4** for storage.

5 Troubleshooting

Some problems may be caused by minor faults that you can fix yourself. To do so, follow the instructions in the following table. If it is still not possible to resolve the problem, contact customer service. Do not repair the product yourself.

Fault	Possible cause and solution
The product does not start.	Make sure the product is properly charged.
The product does not charge.	Make sure the USB cable 11 is securely connected to the charging port 2 and the USB power source.

6 Technical data

Product

Model:	FTC04
Rated input:	5V DC
Wattage:	7 W
Battery type:	1× 18650 Lithium-Ion battery (rechargeable)
Battery voltage/capacity:	3.7 V DC / 2,000 mAh
Rotation speed settings:	2 (low/high)
Rotation speed:	1,350 rpm (low) 1,550 rpm (high)
Charging time:	2.5 hours
Use time:	Approx. 1 hour 50 min per full charge
Weight:	241 g
Dimensions (L × W × H):	180 × 64 × 89.5 mm

7 Disposal

7.1 Disposing of the packaging



Sort the packaging before you dispose of it. Dispose of paperboard and cardboard with the recycled paper service and wrappings with the appropriate collection service.

7.2 Disposing of the product

Old appliances may not be disposed of in household waste!

Should the product no longer be capable of being used at some point in time, **dispose of it in accordance with the regulations in force in your city or county.**

This ensures that old appliances are recycled in a professional manner and also rules out negative consequences for the environment.

Batteries and rechargeable batteries may not be disposed of with household waste!

As the end user you are required by law to bring all batteries and rechargeable batteries, regardless whether they contain harmful substances* or not, to a collection point run by the communal authority or to a retailer, so that they can be disposed of in an environmentally friendly manner. Bring the entire product (including the rechargeable battery) to your collection point and make sure that it is in an uncharged state!

* labelled with: Cd = cadmium, Hg = mercury, Pb = lead

Note: To remove the rechargeable battery, dismantle the fan unit and remove the battery terminals from the circuit board. Then remove the cover from the end of the handle to remove the battery. Make sure the battery is not damaged during the removal. Please note, the cover will be damaged and the removal of the battery is not reversible.

8 Warranty

This product is covered by a 1-year warranty. The extent of the warranty on this product is limited to technical defects caused by faulty production processes. In the event you want to claim warranty please be sure to contact our customer service for instructions. They may be able to solve your problem without needing to return the product to the store or our service center. Our customer service is always pleased to help you!

9 Customer service

For more information about Silk'n products, visit your regional Silk'n website: www.silkn.com or www.silkn.ca. If the device is damaged, defective, in need of repair or you need our assistance, please contact your nearest Silk'n service center. This manual is also available as a PDF download from the websites.

Service number: 1-800-250-5053 (toll-free)

Email: customerarena@silkn.com

Mentions légales

Invention Works B.V. se réserve le droit d'apporter des changements à ses produits ou aux spécifications de ses produits afin d'en améliorer la performance, la fiabilité ou la productivité. Tous les renseignements fournis par Invention Works B.V. au moment de leur publication ont été établis de bonne foi et sont exacts et fiables. Invention Works B.V. décline néanmoins toute responsabilité au regard leur utilisation. Aucune licence n'est implicitement accordée ou accordée autrement en vertu de tout brevet ou droit de brevet de Invention Works B.V.

Aucune partie de ce document ne peut être reproduite, ni transmise sous quelque forme que ce soit ou par quelque procédé électronique ou mécanique, sans l'accord écrit de Invention Works B.V. Les données sont sujettes à changement sans préavis.

Silk'n Beauty Ltd. détient les brevets et les brevets en instance, la marque de commerce, les droits réservés ou d'autres droits de propriété intellectuelle afférents au sujet de ce document. La délivrance de ce document ne vous confère aucune licence sur ces brevets, marques commerciales, droits d'auteur ou autres droits de propriété intellectuelle hormis ceux expressément accordés par contrat écrit avec Silk'n Beauty Ltd. Les spécifications sont sujettes à changement sans préavis.

Silk'n et le logo Silk'n sont des marques déposées de Silk'n Beauty Ltd.

Invention Works B.V.
Galileïstraat 17, 3029 AL Rotterdam, Les Pays-Bas
www.silkn.com, www.silkn.ca – info@silkn.com

Table des matières

1	Consignes de sécurité	19
2	CONSIGNES D'UTILISATION	21
2.1	Contenu de la livraison/pièces de l'appareil	21
2.2	Vérifier le produit et le contenu de la livraison	21
2.3	Généralités	22
2.4	Lire et conserver le mode d'emploi	22
2.5	Explication des symboles	22
2.6	Utilisation conforme à l'usage prévu	23
2.7	Manipulation	24
2.7.1	Monter ou changer le disque de polissage	24
2.7.2	Démarrer et terminer le soin	25
2.8	Charger	25
3	Nettoyage	26
4	Rangement	27
5	Recherche d'erreurs	28
6	Données techniques	28
7	Élimination	29
7.1	Éliminer l'emballage	29
7.2	Éliminer le produit	29
8	Garantie	30
9	Service à la clientèle	30

I Consignes de sécurité

FR

CONSIGNES DE SÉCURITÉ IMPORTANTES

Lors de l'utilisation d'appareils électriques, et surtout en présence d'enfants, les précautions de sécurité de base doivent toujours être respectées, notamment :

VEUILLEZ LIRE TOUTES LES INSTRUCTIONS AVANT L'UTILISATION

DANGER – Pour réduire le risque d'électrocution :

1. Toujours débrancher ce produit immédiatement après utilisation.
2. Ne pas utiliser dans le bain.
3. Ne pas placer ou ranger le produit dans un endroit où il peut tomber ou être entraîné dans une baignoire ou un lavabo.
4. Ne pas le placer ou le laisser tomber dans de l'eau ou tout autre liquide.
5. Ne pas attraper un produit qui est tombé dans l'eau. Débrancher immédiatement.

AVERTISSEMENT – Pour réduire les risques de brûlures, d'électrocution, d'incendie ou de blessure.

1. Ce produit ne doit jamais être laissé sans surveillance lorsqu'il est branché.
2. Une surveillance attentive est nécessaire lorsque ce produit est utilisé par, sur ou à proximité d'enfants ou de personnes handicapées.
3. N'utiliser cet appareil que pour l'usage auquel il est

- destiné, en respectant le présent mode d'emploi. Ne pas utiliser d'accessoires non recommandés par le fabricant.
4. Ne jamais faire fonctionner cet appareil si son cordon électrique ou sa fiche est endommagé, s'il ne fonctionne pas correctement, s'il est tombé sur le sol ou endommagé ou s'il est tombé dans l'eau. Retourner le produit à un centre de service clientèle pour tout examen et réparation.
 5. Garder le cordon loin des surfaces chauffées.
 6. Ne jamais bloquer les arrivées d'air de l'appareil ni le placer sur une surface molle, comme un lit ou un canapé, où les arrivées d'air pourraient être bloquées. Garder les arrivées d'air libres de peluches, de poils et autres.
 7. Ne jamais utiliser pendant que vous dormez ou somnolez.
 8. Ne jamais laisser tomber ou introduire un objet dans une ouverture ou un tuyau.
 9. Ne pas utiliser à l'extérieur ou si des produits aérosols (sprays) sont utilisés à proximité, ni à un endroit où de l'oxygène est administré.
 10. Utiliser le produit uniquement avec le câble USB fourni.
 11. Ne jamais toucher le câble USB avec les mains mouillées ou humides.
 12. Toujours débrancher le câble USB lorsque le produit n'est pas en charge.
 13. Tenir le produit et le câble USB à l'écart des flammes nues et des surfaces chaudes.
 14. Poser le câble USB de manière à ce que personne ne risque de trébucher dessus.
 15. Ne pas plier le câble USB ni l'enrouler autour du produit. Ne pas placer le câble USB sur des bords tranchants.

CONSERVER CES INSTRUCTIONS

2 CONSIGNES D'UTILISATION

FR

2.1 Contenu de la livraison/pièces de l'appareil (voir Fig. A)

- | | | | |
|---|---|----|---|
| 1 | Touche de commande (⏻) | 7 | Arbre |
| 2 | Prise de chargement | 8 | Lampes LED |
| 3 | Capuchon de protection | 9 | Ouvertures de ventilation |
| 4 | Disque anti-callosités (Fin/Moyen/Rugueux), 3×* | 10 | Compartiment de collecte des poussières |
| 5 | Anneau de fixation | 11 | Câble USB (type C) |
| 6 | Filtre, 3×* | 12 | Brosse de nettoyage |

* Une partie est déjà montée sur le produit.

2.2 Vérifier le produit et le contenu de la livraison

AVIS ! RISQUE D'ENDOMMAGEMENT !

- Si vous ouvrez négligemment l'emballage avec un couteau aiguisé ou à l'aide d'autres objets pointus, vous risquez rapidement d'endommager le produit. Ouvrez l'emballage avec précaution.

1. Retirez le produit de l'emballage.
2. Vérifiez si la livraison est complète (voir **fig. A**).
3. Contrôlez si le produit ou les différentes pièces présentent des dommages. Si c'est le cas, n'utilisez pas le produit. Adressez-vous à notre service à la clientèle.

2.3 Généralités

AVERTISSEMENT : Ce produit n'est pas destiné à être ouvert et/ou réparé par l'utilisateur et contient une batterie qui n'est pas remplaçable par l'utilisateur. L'entretien/les réparations du produit ne doivent être effectués que par une personne habilitée ou dans un centre de service agréé.

2.4 Lire et conserver le mode d'emploi



Ce mode d'emploi fait partie de l'appareil ponçage pédicure VacuPedi (appelé « produit » ci-après). Il contient des informations importantes pour la mise en service et l'utilisation.

Veuillez lire d'abord le mode d'emploi attentivement avant d'utiliser le produit. Ceci concerne en particulier les consignes de sécurité. Le non-respect de ce mode d'emploi peut provoquer des blessures ou endommager le produit. Conservez le mode d'emploi pour des utilisations futures. Si vous transmettez le produit à des tiers, joignez obligatoirement ce mode d'emploi.

2.5 Explication des symboles

Les symboles et mots signalétiques suivants sont utilisés dans ce mode d'emploi, sur le produit ou sur l'emballage.



AVERTISSEMENT !

Ce symbole/mot signalétique indique qu'il existe un risque de degré moyen qui, si on ne l'évite pas, peut entraîner la mort ou une blessure grave.

AVIS !

Ce mot signalétique met en garde contre de possibles dommages matériels.



Ce symbole désigne des informations supplémentaires utiles sur la manipulation et l'utilisation du produit.



Lire le mode d'emploi.



Les appareils désignés par ce symbole conviennent uniquement pour une utilisation dans le ménage (dans des espaces intérieurs secs).



Ce symbole indique la tension nominale et le courant nominal pour le courant continu.

2.6 Utilisation conforme à l'usage prévu

Le produit est exclusivement prévu pour éliminer la corne des pieds. Il est exclusivement destiné à l'usage privé et n'est pas adapté à une utilisation professionnelle. Utilisez le produit uniquement de la façon décrite dans ce mode d'emploi. Toute autre utilisation est considérée comme non conforme à l'usage prévu et peut provoquer des dommages matériels ou corporels. Le fabricant ou le commerçant décline toute responsabilité pour les dommages ou les blessures résultant d'une utilisation non conforme ou incorrecte.



AVERTISSEMENT ! RISQUE DE BLESSURE !

- Utilisez seulement le produit aux pieds pour traiter la peau durcie. Ne l'utilisez pas sur d'autres parties du corps ou sur une peau douce ou mince.
- Utilisez le produit uniquement pour le traitement des

peaux sèches (n'utilisez pas d'additifs tels que des huiles ou des lotions).

- Traitez les différentes zones de la peau pendant 2 à 3 secondes max. à la fois.
- N'utilisez pas le produit directement ou à proximité de plaies ouvertes et d'irritations cutanées ou pour éliminer des verrues.
- Si vous ressentez une douleur ou une irritation, cessez immédiatement d'utiliser le produit.
- Consultez un médecin si vous n'êtes pas sûr(e) que le produit vous convienne (par exemple, si vous souffrez de maladies de la peau ou de diabète, si vous êtes enceinte ou si vous portez un pacemaker).
- Pour des raisons d'hygiène, le produit ne doit être utilisé que par une seule personne.
- Éloignez le produit des cheveux, des perruques et d'autres objets longs et flexibles, par ex. cordelettes, fils, fibres textiles.

2.7 Manipulation



- Nettoyez le produit avant la première utilisation comme indiqué au chapitre « Nettoyage ».
- Avant de traiter pour la première fois une zone des pieds, testez la tolérance cutanée sur une zone du pied pendant 3 secondes max. Ne commencez le nettoyage que s'il n'y a pas d'effets secondaires.

2.7.1 Monter ou changer le disque de polissage

Le produit comprend 3 disques de polissage **4** : Fin, Moyen et Rugueux. Pour les peaux particulièrement rugueuses, il est recommandé de commencer par le disque Rugueux.

1. Assurez-vous que le produit est arrêté.
2. Enlevez le capuchon **3** s'il se trouve sur le produit.

3. Retirez le disque monté du produit. Pour ce faire, aidez-vous éventuellement de la poignée de la brosse de nettoyage **12** (voir étape 1 dans la **fig. B**).
4. Montez le disque souhaité sur l'arbre **7** (voir étape 2 dans la **fig. B**).
Lorsque le disque s'enclenche, vous entendez un clic.

2.7.2 Démarrer et terminer le soin

1. Assurez-vous que vos pieds sont propres et complètement secs.
2. Appuyez une fois sur la touche de commande (⏻) **1**.
Le produit est maintenant mis en marche et réglé sur une vitesse lente. Les lampes LED **8** brillent en bleu.
3. Appuyez à nouveau sur la touche de commande (⏻) pour augmenter le réglage de la vitesse.
Le produit est maintenant mis en marche et réglé sur une vitesse élevée. Les lampes LED clignotent en bleu.
4. Guidez le disque de polissage **4** sur les zones de la peau à traiter. Appliquez une légère pression et appliquez le disque sur une zone de la peau à la fois pendant deux à trois secondes max. Vérifiez ensuite le résultat (voir **fig. C**).
Ne pas couvrir les ouvertures de ventilation **9** pendant le fonctionnement pour éviter la surchauffe.
La poussière générée pendant le traitement est aspirée par le compartiment de collecte des poussières **10**.
5. Lorsque le traitement est terminé, appuyez une troisième fois sur la touche de commande (⏻) pour arrêter le produit. Les lampes LED s'éteignent également.

2.8 Charger



- Le produit ne peut pas être utilisé pendant qu'il charge.
- Chargez le produit uniquement à des températures comprises entre 0 et 40 °C.



- Chargez complètement le produit avant la première utilisation et lorsque la batterie est faible.
 - Il faut env. 2,5 heures pour une charge complète.
 - Lorsque la charge de la batterie est faible, les lampes LED commencent à clignoter en rouge pendant le fonctionnement. Chargez le produit.
1. Branchez l'extrémité du câble USB **11** sur la prise de chargement **2**.
 2. Pour charger le produit, insérez l'autre extrémité du câble USB dans le port USB d'une source d'alimentation USB appropriée (p. ex. bloc d'alimentation USB, type C, 5 V DC).
 3. Branchez le bloc d'alimentation USB dans une prise de courant pour recharger le produit. Pendant le chargement, les lampes LED **8** commencent lentement à clignoter en bleu.
 4. Lorsque le produit est complètement chargé, les lampes LED brillent en permanence en bleu. Débranchez le bloc d'alimentation USB de la prise de courant et débranchez le câble USB du produit.

3 Nettoyage

AVIS ! RISQUE D'ENDOMMAGEMENT !

- N'utilisez aucun produit de nettoyage agressif, aucune brosse métallique, ainsi qu'aucun ustensile de nettoyage tranchant ou métallique tel qu'un couteau, une spatule dure ou un objet similaire.

Nettoyez le produit après chaque utilisation.

1. Retirez le disque de polissage **4** monté du produit. Pour ce faire, aidez-vous éventuellement de la poignée de la brosse de nettoyage **12** (voir étape 1 dans la **fig. B**).
2. Tournez l'anneau de fixation **5** dans le sens contraire des aiguilles d'une montre pour le retirer du produit (voir **fig. D**).
3. Retirez le filtre **6** du compartiment de collecte des poussières **10** (voir **fig. D**).
4. Nettoyez ces pièces de façon conforme :
Unité principale : Essuyez-la avec un chiffon humide. Séchez-la ensuite complètement avec un chiffon sec.
Compartiment de collecte des poussières et disques de polissage : Utilisez la brosse de nettoyage pour éliminer la poussière accumulée.
Filtre, anneau de fixation et capuchon 3 : Nettoyez-les sous l'eau courante. Essuyez l'anneau de fixation et le capuchon avec un chiffon sec pour les sécher entièrement et laissez sécher soigneusement le filtre à l'air. Remplacez le filtre lorsqu'il est trop poussiéreux. Remplacez le disque de polissage lorsqu'il est usé.
5. Montez à nouveau le filtre, l'anneau de fixation, le disque de polissage et le capuchon après le nettoyage. Notez que toutes les pièces doivent être complètement sèches avant le remontage.



Vous pouvez acheter de nouveaux disques de polissage et filtres sur notre site Internet www.silkn.com ou www.silkn.ca.

4 Rangement

Avant le rangement, toutes les pièces doivent être

complètement sèches.

- Rangez toutes les pièces dans un endroit propre et sec, à l'abri de la chaleur et de la lumière directe du soleil.
- Fixez le capuchon **3** pour protéger le disque de polissage **4** lors du rangement.

5 Recherche d'erreurs

Certains problèmes sont probablement causés par des perturbations mineures que vous pouvez éliminer par vous-même. Suivez pour ceci les instructions dans le tableau suivant. Si le problème ne peut pas être résolu ainsi, adressez-vous au service à la clientèle. Ne réparez pas le produit vous-même.

Panne	Cause possible et solution
Le produit ne peut pas être mis en marche.	Assurez-vous que le produit est correctement chargé.
Le produit ne peut pas être chargé.	Assurez-vous que le câble USB 11 est bien raccordé entre la prise de chargement 2 et la source d'alimentation USB.

6 Données techniques

Produit

Modèle :	FTC04
Puissance d'entrée nominale :	5V DC
Wattage :	7 V
Type de batterie :	1 × batterie lithium-ion 18650 (rechargeable)
Tension/capacité de la batterie :	3,7 V DC / 2 000 mAh

Réglage de la vitesse de rotation :	2 (faible/élevée)
Vitesse de rotation :	1 350 tr/min (faible) 1 550 tr/min (élevée)
Durée de chargement :	2,5 heures
Durée d'utilisation :	en. 1 heure et 50 minutes par charge complète
Poids :	241 g
Dimensions (L × l × H) :	180 × 64 × 89,5 mm

7 Élimination

7.1 Éliminer l'emballage



Éliminez l'emballage selon les types de matériaux. Mettez les déchets en papier, en carton et en pellicule dans la collecte des matières recyclables.

7.2 Éliminer le produit

Les appareils usagés ne doivent pas être jetés dans les ordures ménagères !

Si un jour, le produit ne pouvait plus être utilisé, **éliminez-le selon les prescriptions en vigueur dans votre région/département ou pays.** Ceci garantit un recyclage approprié des appareils usagés dans un circuit d'élimination respectueux de l'environnement.

Ne pas jeter les piles et les batteries usagées avec les déchets ménagers !

En tant qu'utilisateur final, vous êtes légalement tenu de rapporter toutes les piles et accumulateurs (qu'ils contiennent ou non des substances dangereuses*) à un point de collecte municipal ou à un revendeur afin qu'ils

puissent être éliminés de manière écologique. Apportez le produit complet (y compris la batterie) à votre point de collecte et assurez-vous que la batterie est déchargée !

*marquage : Cd = cadmium, Hg = mercure, Pb = plomb

Avis : Pour retirer la batterie, démontez l'unité de ventilation et débranchez les bornes de la batterie de la carte de circuit imprimé. Retirez ensuite le capuchon de l'extrémité de la poignée pour retirer la batterie. Assurez-vous que la batterie n'est pas endommagée. Notez que le capuchon sera endommagé et que le retrait de la batterie n'est pas réversible.

8 Garantie

Ce produit est couvert par une garantie de 1 an. La garantie de ce produit est limitée aux défauts techniques causés par des procédés de production défectueux. Si vous souhaitez faire valoir votre garantie, veuillez vous adresser à notre Service à la clientèle pour obtenir des instructions. Le service sera peut-être en mesure de résoudre votre problème sans que vous ayez besoin de ramener votre produit au magasin ou à votre centre de service. Notre Service à la clientèle se fait toujours un plaisir de vous servir !

9 Service à la clientèle

Pour de plus amples renseignements sur les produits Silk'n, veuillez visiter votre site Internet Silk'n local : www.silkn.com ou www.silkn.ca. Si votre appareil est endommagé, a besoin de réparations ou pour toute autre assistance, veuillez contacter votre Service à la clientèle Silk'n le plus proche. Le présent mode d'emploi est également disponible en téléchargement au format PDF sur les sites Internet.

Numéro du service : 1-800-250-5053 (gratuit)

E-mail : customercarena@silkn.com

Derechos de autor 2024 © Silkn Beauty Ltd. Todos los derechos reservados.

ES

Aviso legal

Invention Works B.V. se reserva el derecho a introducir cambios en sus productos o en las especificaciones para mejorar su rendimiento, fiabilidad o fabricación. La información facilitada por Invention Works B.V. se considera exacta y fiable en el momento de su publicación. No obstante, Invention Works B.V. no asumirá ninguna responsabilidad por su uso. Dicha información no implica que se otorgue ninguna licencia en modo alguno, bajo ninguna patente o derechos de patente de Invention Works B.V.

No está permitido reproducir o transmitir parte del presente documento en forma o medio alguno, electrónico o mecánico, para cualquier propósito, sin el permiso escrito y explícito de Invention Works B.V. Los datos están sujetos a cambios sin notificación previa.

Silkn Beauty Ltd. cuenta con patentes y solicitudes de patente pendientes, marcas comerciales, derechos de autor y otros derechos de propiedad intelectual que amparan la materia tratada en este documento. La posesión de este documento no le otorga licencia alguna sobre dichas patentes, marcas comerciales, derechos de autor ni otros derechos de propiedad intelectual, excepto lo expresamente provisto en cualquier contrato por escrito con Silkn Beauty Ltd. Las especificaciones están sujetas a cambios sin previo aviso.

Silkn y el logotipo de Silkn son marcas registradas de Silkn Beauty Ltd.

Invention Works B.V.
Galileïstraat 17, 3029 AL Rotterdam, Países Bajos
www.silkn.com, www.silkn.ca – info@silkn.com

Índice

1	Instrucciones de seguridad	33
2	INSTRUCCIONES DE USO	35
2.1	Volumen de suministro/partes del equipo	35
2.2	Comprobación del producto y del volumen de suministro	35
2.3	Información general	36
2.4	Leer y guardar este manual del usuario	36
2.5	Explicación de símbolos	36
2.6	Uso apropiado	37
2.7	Manejo	38
2.7.1	Montaje o cambio del disco abrasivo	38
2.7.2	Iniciar y finalizar el tratamiento	39
2.8	Carga	40
3	Limpieza	40
4	Almacenamiento	41
5	Búsqueda de fallos	42
6	Datos técnicos	42
7	Eliminación	43
7.1	Eliminación del embalaje	43
7.2	Eliminación del producto	43
8	Garantía	44
9	Atención al cliente	44

I Instrucciones de seguridad

PRECAUCIONES IMPORTANTES

Al utilizar productos eléctricos, especialmente cuando hay niños presentes, deben seguirse siempre las precauciones básicas de seguridad, entre las que se incluyen las siguientes:

LEER TODAS LAS INSTRUCCIONES ANTES DEL USO

PELIGRO: Para reducir el riesgo de electrocución:

1. Desenchufar siempre este producto inmediatamente después de su uso.
2. No utilizar durante el baño.
3. No colocar ni guardar el producto donde pueda caerse o ser arrastrado hacia una bañera o un lavabo.
4. No introducir ni dejar caer en agua u otro líquido.
5. No agarrar un producto que se haya caído dentro del agua. Desenchufar de inmediato.

ADVERTENCIA: Para reducir el riesgo de quemaduras, electrocución, incendio o lesiones a las personas.

1. Un producto nunca debe dejarse desatendido cuando está enchufado.
2. Es necesaria una estrecha supervisión cuando este producto sea utilizado por, con o cerca de niños o minusválidos.
3. Utilice este producto únicamente para el uso previsto, tal como se describe en este manual. No utilice accesorios no recomendados por el fabricante.
4. No utilice nunca este producto si tiene el cable o el

enchufe dañados, si no funciona correctamente, si se ha caído o dañado, o sumergido en agua. Devuelva el producto a un centro de servicio para su examen y reparación.

5. Mantenga el cable alejado de superficies calientes.
6. No bloquee nunca las aberturas de ventilación del producto ni lo coloque sobre una superficie blanda, como una cama o un sofá, donde puedan bloquearse las aberturas de ventilación. Mantenga las aberturas de ventilación libres de pelusas, cabello y similares.
7. No utilizar nunca mientras se duerme o se tiene somnolencia.
8. No dejar caer ni introducir ningún objeto en ninguna abertura o manguera.
9. No utilizar al aire libre ni en lugares donde se utilicen productos en aerosol (espray) o donde se administre oxígeno.
10. Utilizar el producto únicamente con el cable USB suministrado.
11. Nunca tocar el cable USB con las manos mojadas o húmedas.
12. Desenchufar siempre el cable USB cuando no se esté cargando el producto.
13. Mantener el producto y el cable USB alejado de llamas abiertas y superficies calientes.
14. Colocar el cable USB de manera que nadie pueda tropezar con él.
15. No retorcer el cable USB ni enrollarlo en torno al producto. No pasar el cable USB por esquinas puntiagudas.

GUARDE ESTAS INSTRUCCIONES

2 INSTRUCCIONES DE USO

2.1 Volumen de suministro/partes del equipo (vease la fig. A)

ES

- | | |
|--|----------------------------|
| 1 Botón de control (⏻) | 7 Eje |
| 2 Conexión de carga | 8 Luces LED |
| 3 Cubierta | 9 Orificios de ventilación |
| 4 Disco abrasivo
(Fino/Medio/Grueso), 3×* | 10 Depósito de polvo |
| 5 Anillo fijador | 11 Cable USB (tipo C) |
| 6 Filtro, 3×* | 12 Cepillo de limpieza |

* Una pieza ya viene montada en el producto.

2.2 Comprobación del producto y del volumen de suministro

¡AVISO! ¡PELIGRO DE DAÑOS!

- Si abre sin cuidado el embalaje con un cuchillo afilado u otro objeto puntiagudo, se puede dañar rápido el producto. Al abrirlo, proceda con mucho cuidado.

1. Saque el producto del embalaje.
2. Compruebe si el suministro está completo (véase la **fig. A**).
3. Compruebe si el producto o las piezas individuales presentan daños. En tal caso, no utilice el producto. Contacte con nuestro servicio de atención al cliente.

2.3 Información general

ADVERTENCIA: Este producto no es apto para que el usuario lo abra y/o lo repare, y contiene una batería que el usuario no puede sustituir. La asistencia y las reparaciones del producto debe llevarlas a cabo una persona autorizada o un centro autorizado para el servicio técnico.

2.4 Leer y guardar este manual del usuario



Este manual del usuario pertenece a este eliminador de durezas VacuPedi (en adelante, el “producto”). Contiene información importante sobre la puesta en marcha y el uso.

Lea detenidamente el manual del usuario antes de usar el producto, sobre todo las indicaciones de seguridad. La inobservancia de este manual del usuario puede provocar lesiones o daños en el producto.

Guarde el manual del usuario para uso posterior. Si cede el producto a otra persona, asegúrese de incluir este manual del usuario.

2.5 Explicación de símbolos

Los siguientes símbolos y palabras de advertencia se utilizan en este manual del usuario, en el producto o en el embalaje.



¡ADVERTENCIA!

Este símbolo/término de advertencia hace referencia a un grado de riesgo medio que, si no se evita, puede provocar la muerte o lesiones graves.

¡AVISO!

Este término de advertencia avisa de posibles daños materiales.



Este símbolo de señalización identifica otra información útil sobre la manipulación y el uso.

ES



Lea el manual de usuario.



Los dispositivos identificados con este símbolo solo son aptos para uso doméstico (en interiores secos).



Este símbolo indica la tensión nominal y la corriente nominal para corriente continua (CC).

2.6 Uso apropiado

El producto está pensado exclusivamente para eliminar las durezas de los pies. Solo está concebido para uso privado, no para el ámbito industrial. Utilice únicamente el producto de la forma como se describe en el presente manual del usuario. Cualquier otro uso se considera inapropiado y puede provocar daños materiales o personales. El fabricante o vendedor no asume ninguna responsabilidad por daños o lesiones provocados por un uso indebido o incorrecto.



¡ADVERTENCIA! ¡PELIGRO DE LESIÓN!

- Utilice el producto solo en los pies para tratar la piel endurecida. No lo emplee en otras partes del cuerpo, ni sobre piel blanda o fina.
- Use el producto solo para el tratamiento de la piel en seco (no aplique aditivos como aceites o lociones).
- Trate cada punto de la piel de 2 a 3 segundos seguidos como máximo.

- No emplee el producto directamente encima o cerca de heridas abiertas e inflamaciones cutáneas o para eliminar verrugas.
- Si aparecen dolores o irritaciones, deje de usar el producto en seguida.
- Diríjase a un médico cuando no esté seguro de si el producto es adecuado para usted (p. ej., si tiene enfermedades de la piel o diabetes, si está embarazada o si lleva marcapasos).
- Por motivos higiénicos, solo una persona debería usar el producto.
- Mantenga el producto alejado de cabello, pelucas y demás objetos largos y flexibles, como cordones, hilos y fibras textiles.

2.7 Manejo



- Limpie el producto antes de utilizarlo por primera vez tal y como se describe en el capítulo "Limpieza".
- Antes de tratar una zona de los pies por primera vez, efectúe una prueba de tolerancia cutánea en un punto del pie para 3 segundos como máximo. Comience el tratamiento únicamente si no se producen efectos secundarios.

2.7.1 Montaje o cambio del disco abrasivo

El producto viene con 3 discos abrasivos (4): Fino, Medio y Grueso. Para la piel más rugosa, se recomienda comenzar con el disco abrasivo Grueso.

1. Cerciórese de que el producto esté apagado.
2. Desmonte la cubierta (3) si está puesta en el producto.
3. Retire el disco abrasivo montado del producto. Para ello, puede ayudarse del agarre del cepillo de limpieza (12) (consulte el paso 1 de la **fig. B**).

- Coloque el disco abrasivo que quiera en el eje **7** (consulte el paso 2 en la **fig. B**).

Cuando encaje el disco abrasivo, escuchará un chasquido.

ES

2.7.2 Iniciar y finalizar el tratamiento

- Asegúrese de que los pies estén limpios y totalmente secos.
- Presione una vez el botón de control (**⏻**) **1**. El producto está encendido ahora y ajustado a la velocidad baja. Las luces LED **8** se iluminan en azul.
- Presione de nuevo el botón de control (**⏻**) si desea aumentar la velocidad. El producto está encendido ahora y ajustado a la velocidad alta. Las luces LED parpadean en azul.
- Pase el disco abrasivo **4** giratorio sobre las zonas de la piel que desea tratar. Presione un poco y mantenga el disco abrasivo de dos a tres segundos como máximo por el mismo punto. Compruebe entonces el resultado (véase la **fig. C**).
No tape los orificios de ventilación **9** durante el funcionamiento para evitar sobrecalentamientos. El polvo generado durante el tratamiento se recoge en el depósito de polvo **10**.
- Una vez finalizado el tratamiento, presione el botón de control (**⏻**) una tercera vez para apagar el producto. Las luces LED también se apagan.

2.8 Carga



- El producto no se puede utilizar durante la carga.
- Cargue el producto únicamente a una temperatura de entre 0 y 40 °C.
- Cargue completamente el producto antes del primer uso y cuando la batería esté baja.
- Tarda unas 2,5 horas en cargarse del todo.
- Cuando la batería esté baja, las luces LED comienzan a parpadear en rojo durante el funcionamiento. Cargue el producto.

1. Conecte un extremo del cable USB **11** en la conexión de carga **2**.
2. Para cargar, inserte el otro extremo del cable USB en el puerto USB de una fuente de corriente USB adecuada (no incluida en el volumen de suministro) (p. ej., una fuente de alimentación USB, tipo C, 5 V CC).
3. Enchufe el adaptador de corriente USB en una toma de corriente.
Durante la carga, las luces LED **8** empiezan a parpadear lentamente en azul.
4. Cuando el producto está completamente cargado, las luces LED se iluminan en azul. Desconecte el adaptador de corriente USB de la toma de corriente y desconecte el cable USB del producto.

3 Limpieza

¡AVISO! ¡PELIGRO DE DAÑOS!

- No utilice productos de limpieza agresivos, cepillos con cerdas de metal y objetos de limpieza afilados o metálicos, como cuchillos, espátulas duras y similares.

Limpie el producto después de cada uso.

1. Retire el disco abrasivo montado (4) del producto. Para ello, puede ayudarse del agarre del cepillo de limpieza (12) (consulte el paso 1 de la **fig. B**).
2. Gire el anillo fijador (5) en sentido contrario a las agujas del reloj para desmontarlo del producto (véase la **fig. D**).
3. Extraiga el filtro (6) del depósito de polvo (10) (véase la **fig. D**).
4. Limpie bien estas piezas:
Unidad principal: Pásele un paño húmedo. Séquela bien con un paño seco.
Depósito de polvo y discos abrasivos: Utilice el cepillo de limpieza para eliminar el polvo acumulado.
Filtro, anillo fijador y cubierta (3): Límpielos con agua corriente. Seque bien el anillo fijador y la cubierta con un paño seco y deje que el filtro se seque bien al aire. Sustituya el filtro cuando tenga demasiado polvo. Reemplace el disco abrasivo cuando esté desgastado.
5. Tras su limpieza, vuelva a montar el filtro, el anillo fijador, el disco abrasivo y la cubierta. Asegúrese de que todas las piezas estén totalmente secas antes de volver a montarlas.



En nuestro sitio web www.silkn.com o www.silkn.ca, puede comprar discos abrasivos y filtros nuevos.

4 Almacenamiento

Antes de guardarlo, todas las piezas deben estar totalmente secas.

- Almacene todas las piezas en un lugar limpio y seco, y protegido del calor y de la luz solar directa.
- Monte la cubierta (3) para proteger el disco abrasivo (4) cuando esté guardado.

5 Búsqueda de fallos

Algunos problemas pueden estar causados por averías menores que puede resolver por sí mismo. Siga las instrucciones reflejadas en la tabla siguiente. Si no pudiera solucionar el problema, diríjase al servicio de atención al cliente. No repare el producto por sí mismo.

Avería	Posible causa y solución
El producto no puede encenderse.	Asegúrese de que el producto esté bien cargado.
El producto no se carga.	Asegúrese de que el cable USB 11 está correctamente conectado entre la conexión de carga 2 y la fuente de alimentación USB.

6 Datos técnicos

Producto

Modelo:	FTC04
Entrada nominal:	5V DC
Vatios:	7 W
Tipo de batería:	1 × batería de ion de litio 18650 (recargable)
Voltaje/capacidad de la batería:	3,7 V DC / 2 000 mAh
Ajustes de la velocidad de rotación:	2 (bajo/alto)
Velocidad de rotación:	1 350 rpm (bajo) 1 550 rpm (alto)
Tiempo de carga:	2,5 horas
Duración de uso:	Aprox. 1 hora y 50 minutos con la carga llena

Peso:	241 g
Dimensiones (largo × ancho × profundo):	180 × 64 × 89,5 mm

ES

7 Eliminación

7.1 Eliminación del embalaje



Elimine el embalaje por tipos. El cartón y las láminas han de llevarse a un punto de recogida de papel usado y material respectivamente.

7.2 Eliminación del producto

¡Los equipos en desuso no se pueden tirar a la basura doméstica!

Cuando el producto no se utiliza más, **elimínelo conforme a las disposiciones vigentes en su país o región**. Así se garantiza que los equipos en desuso se reutilicen adecuadamente y se evitan efectos negativos sobre el medio ambiente.

¡Las baterías y las pilas no se pueden tirar a la basura doméstica!

Como consumidor final, usted está legalmente obligado a entregar todas las pilas y baterías, independientemente de que contengan o no sustancias peligrosas*, en un punto de recogida del municipio o del distrito municipal o en un distribuidor para que puedan eliminarse de forma respetuosa con el medioambiente. ¡Lleve el producto completo (incluida la batería) a su punto de recogida y asegúrese de que la batería está descargada!

*identificadas con: Cd = cadmio, Hg = mercurio,
Pb = plomo

Aviso: Para extraer la batería, rompa la unidad de ventilación y separe los terminales de la batería de la platina. A continuación, retire la cubierta del extremo del agarre para poder sacar la batería. Asegúrese de no dañar la batería al extraerla. Tenga presente que la cubierta se dañará y que, una vez retirada la batería, ya no se puede volver a usar.

8 Garantía

Este producto está cubierto por una garantía de 1 año. La cobertura de la garantía de este producto queda limitada a los defectos técnicos provocados por fallos en los procesos de fabricación. En caso de que desee acogerse a la garantía, asegúrese de contactar con Atención al Cliente para recibir instrucciones. Es posible que puedan resolver su problema sin necesidad de devolver el producto al almacén o enviarlo a un centro de servicio. Nuestro departamento de Atención al Cliente estará encantado de ayudarle.

9 Atención al cliente

Para obtener más información sobre los productos de Silk'n, visite la página web regional de Silk'n: www.silkn.com o www.silkn.ca. Si el dispositivo está estropeado, es defectuoso, debe repararse o si necesita nuestra asistencia, por favor, contacte con el centro de servicio de Silk'n más próximo. Este manual también está disponible como descarga en PDF en los sitios web.

Número de servicio: 1-800-250-5053 (gratuito)
Email: customerarena@silkn.com

2405_006_NA



Silk'n®

Distributed by:
Invention Works B.V.
Galileistraat 17, 3029 AL Rotterdam
The Netherlands

www.silkn.com • www.silkn.ca • info@silkn.com



© 2024 Silk'n Beauty Ltd. All rights reserved. Silk'n and the Silk'n logo are registered trademarks of Silk'n Beauty Ltd.